

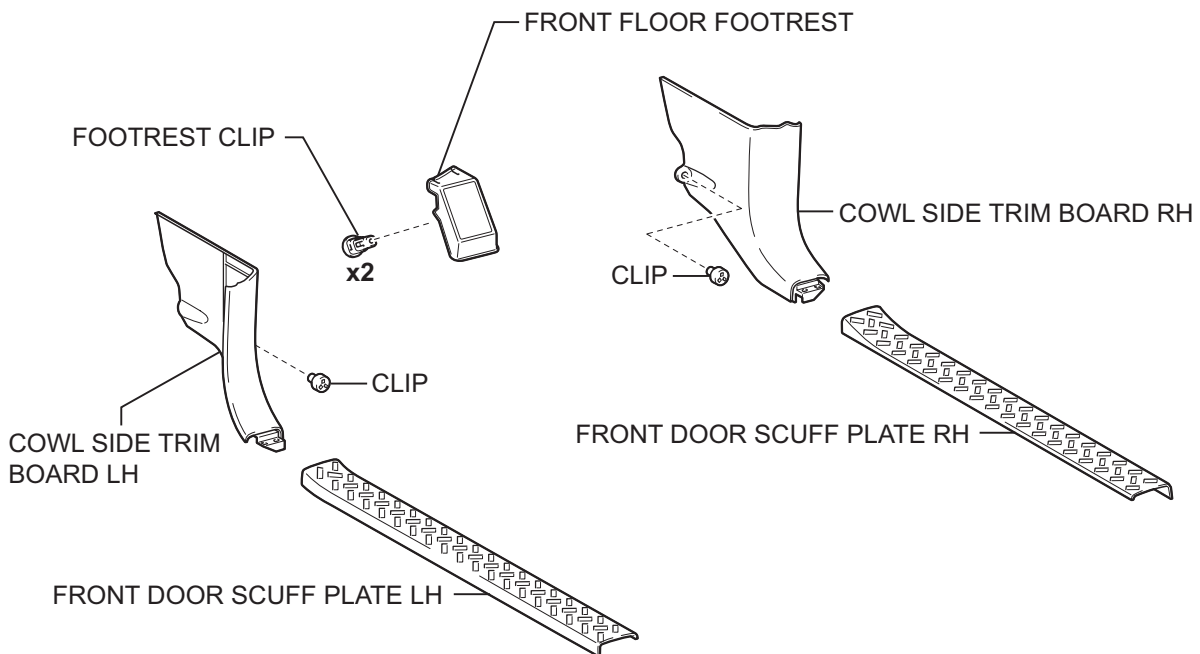
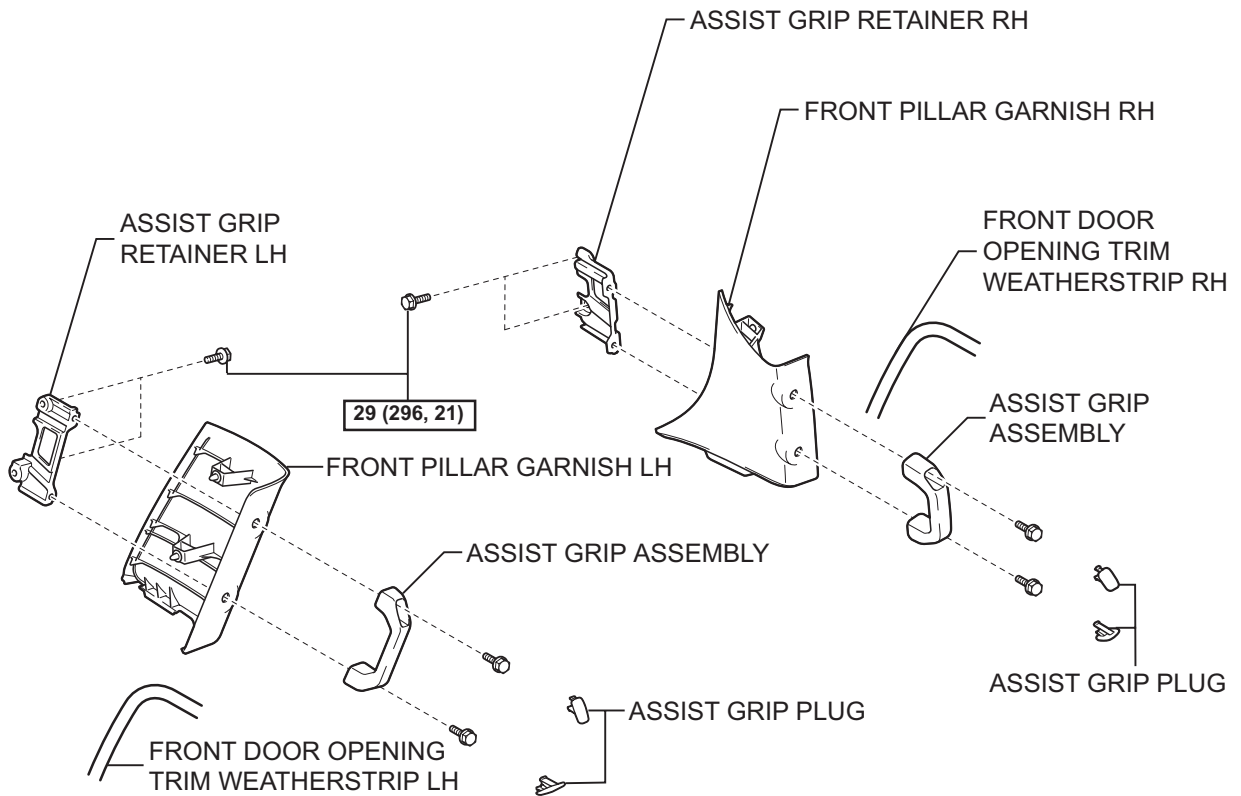
---

# INSTRUMENT PANEL ASSEMBLY

## PRECAUTION

1. **PRECAUTION FOR VEHICLE WITH SRS AIRBAG AND SEAT BELT PRETENSIONER**
  - (a) Some of these operations may affect the SRS airbag system. Read the precautionary notices concerning the SRS airbag system before servicing (See page [RS-1](#)).

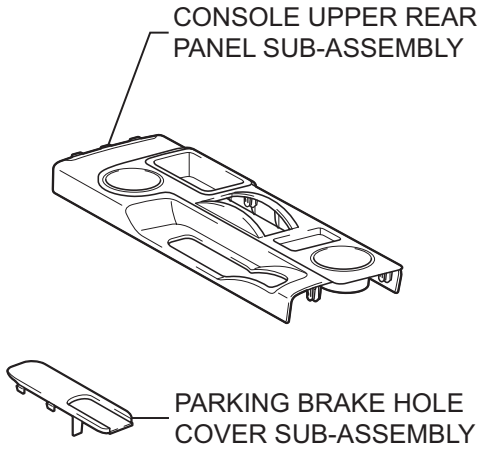
# COMPONENTS



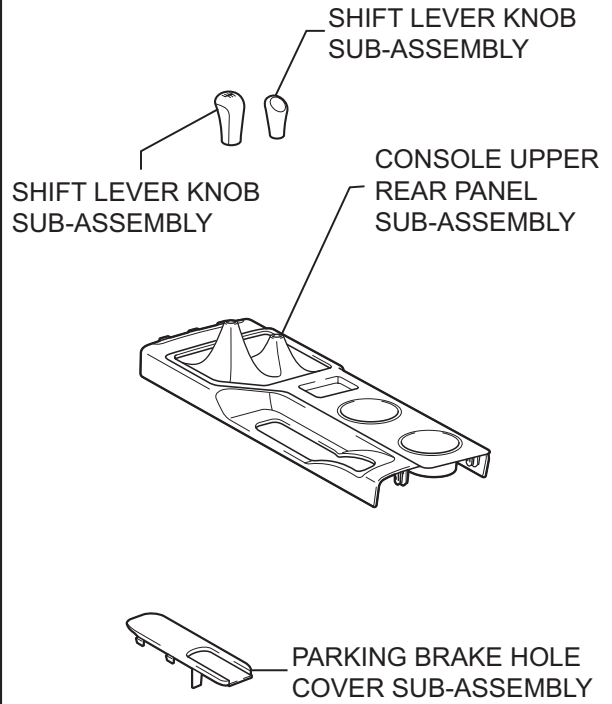
**N\*m (kgf\*cm, ft\*lbf)** : Specified torque



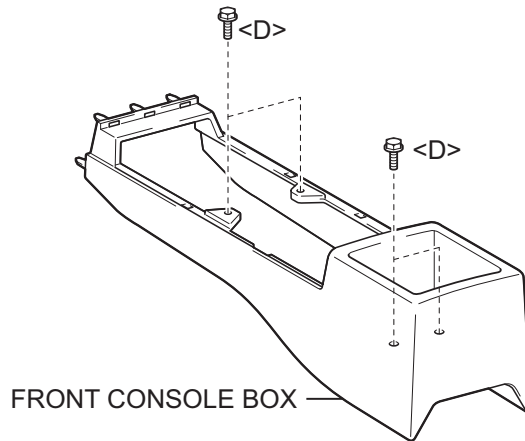
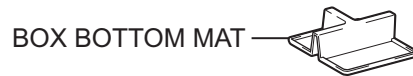
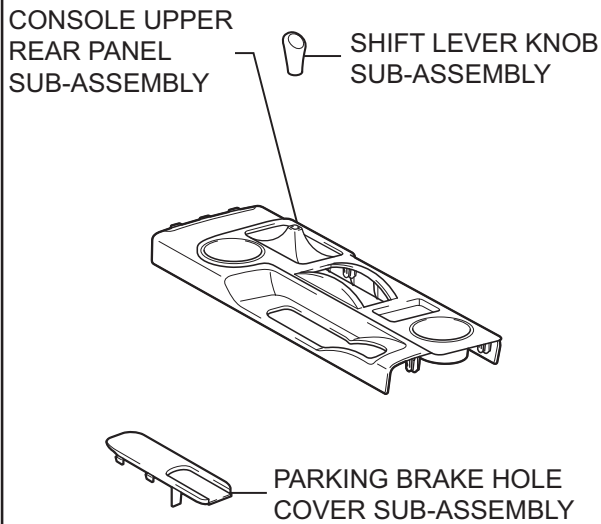
**for Automatic Transmission 2WD:**

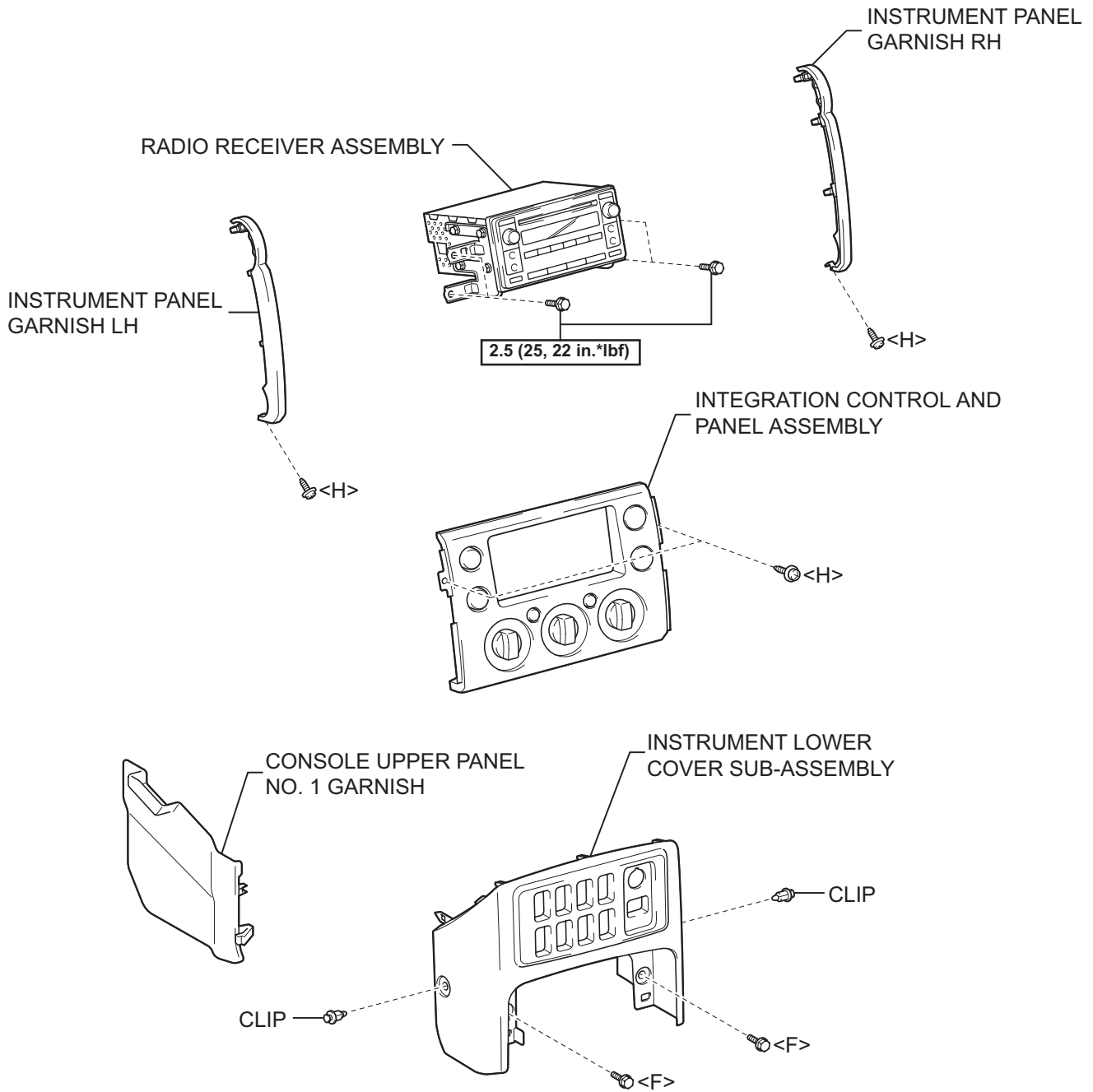


**for Manual Transmission 4WD:**



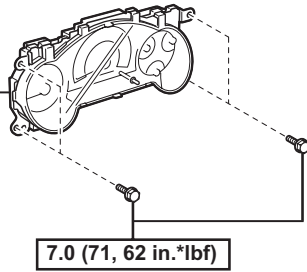
**for Automatic Transmission 4WD:**



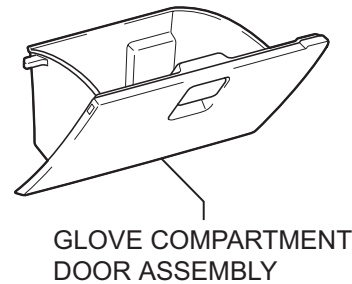
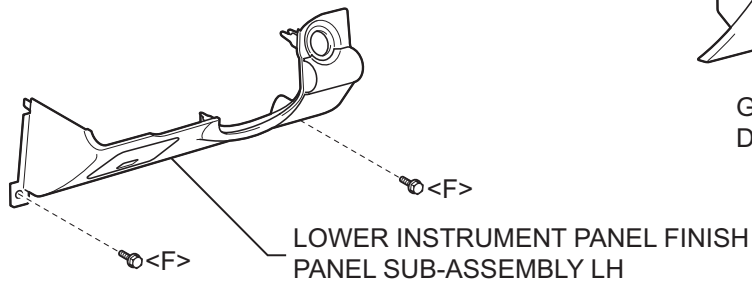
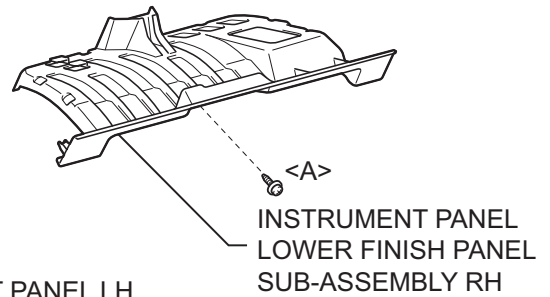
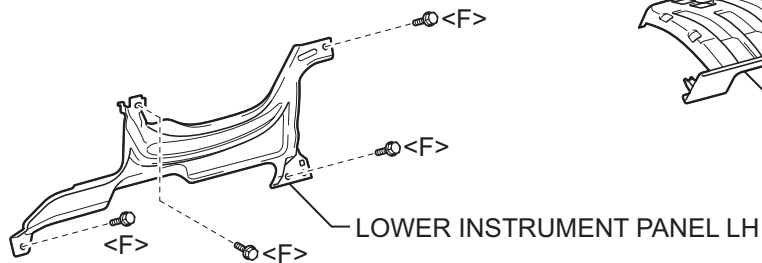
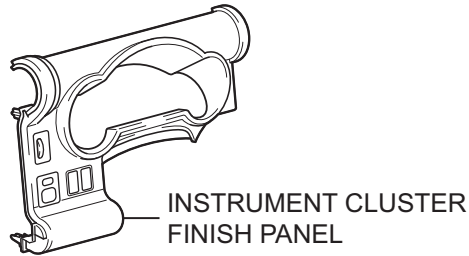
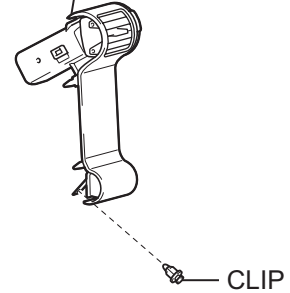


**N\*m (kgf\*cm, ft\*lbf)** : Specified torque

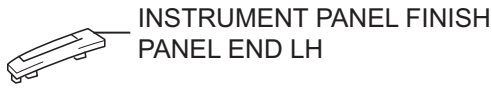
COMBINATION METER ASSEMBLY



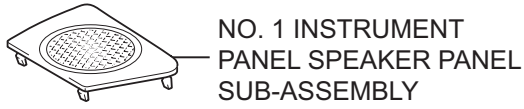
NO. 2 INSTRUMENT PANEL REGISTER ASSEMBLY



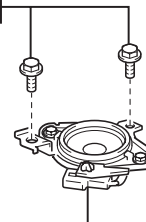
**N\*m (kgf\*cm, ft.\*lbf)** : Specified torque



NO. 2 INSTRUMENT PANEL SPEAKER  
PANEL SUB-ASSEMBLY

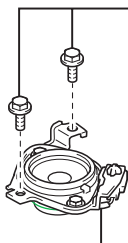


2.5 (25, 22 in.\*lbf)

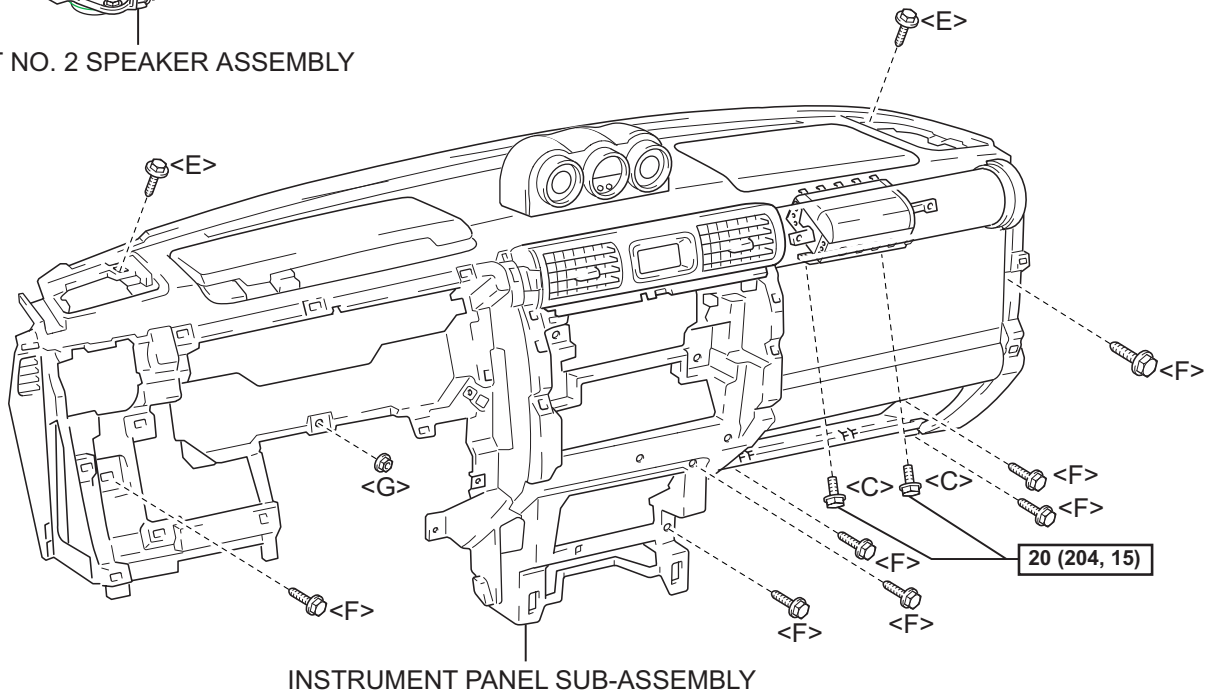


FRONT NO. 2 SPEAKER ASSEMBLY

2.5 (25, 22 in.\*lbf)

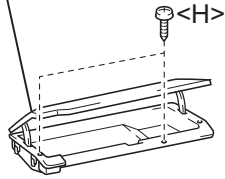


FRONT NO. 2 SPEAKER ASSEMBLY

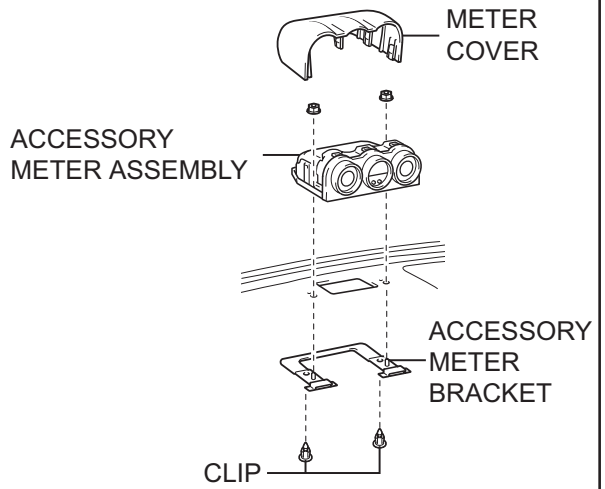


N\*m (kgf\*cm, ft\*lbf) : Specified torque

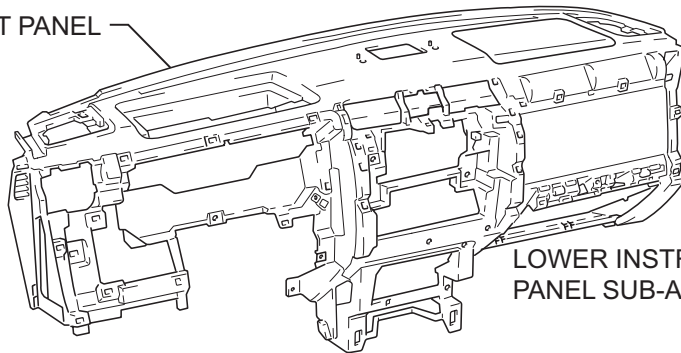
NO. 2 INSTRUMENT  
PANEL BOX DOOR  
SUB-ASSEMBLY



w/ Accessory Meter:



INSTRUMENT PANEL



LOWER INSTRUMENT  
PANEL SUB-ASSEMBLY RH

INSTRUMENT  
CLUSTER  
FINISH PANEL  
SUB-ASSEMBLY

LOWER INSTRUMENT  
PANEL SUB-ASSEMBLY LH

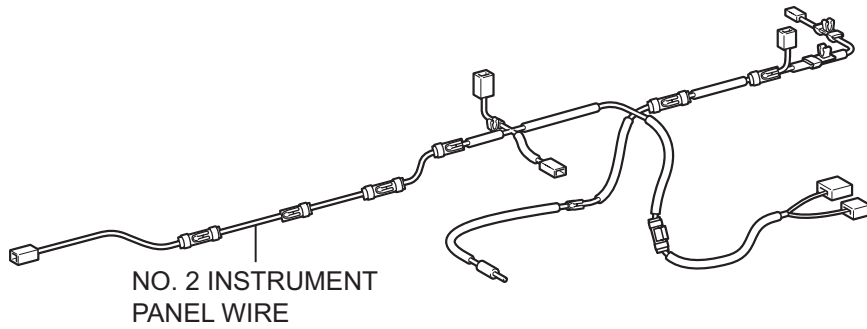
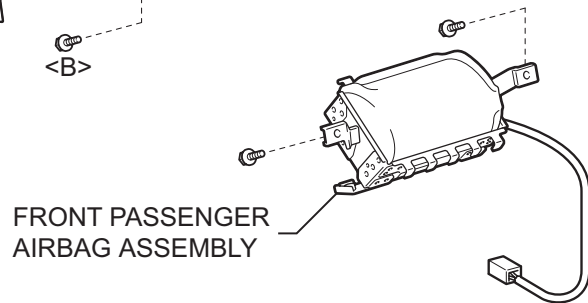
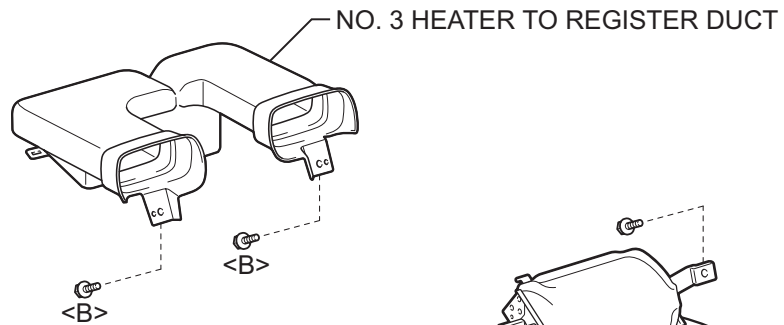
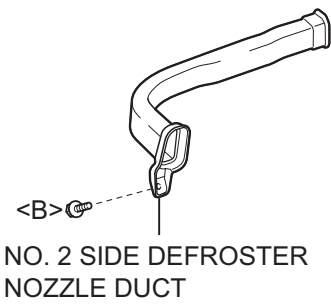
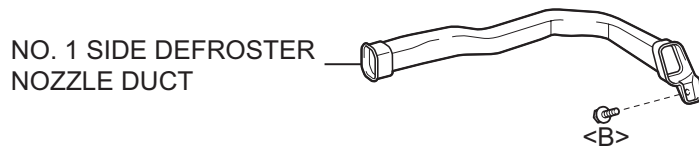
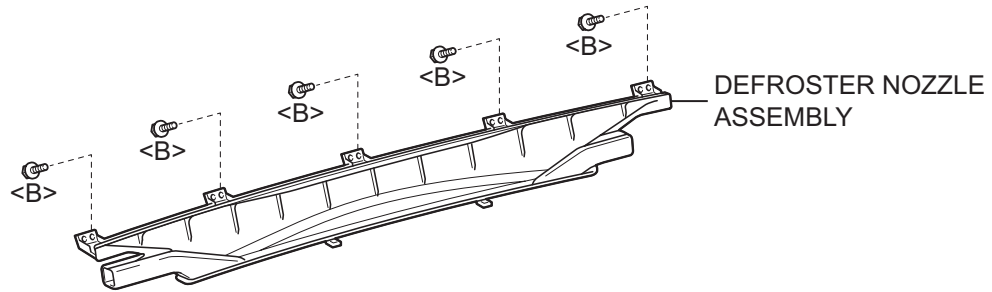
INSTRUMENT CLUSTER CENTER  
FINISH PANEL SUB-ASSEMBLY

INSTRUMENT CLUSTER LOWER CENTER  
FINISH PANEL SUB-ASSEMBLY

INSTRUMENT PANEL CENTER  
BRACKET SUB-ASSEMBLY

GLOVE COMPARTMENT DOOR  
STOPPER SUB-ASSEMBLY

IP



IP